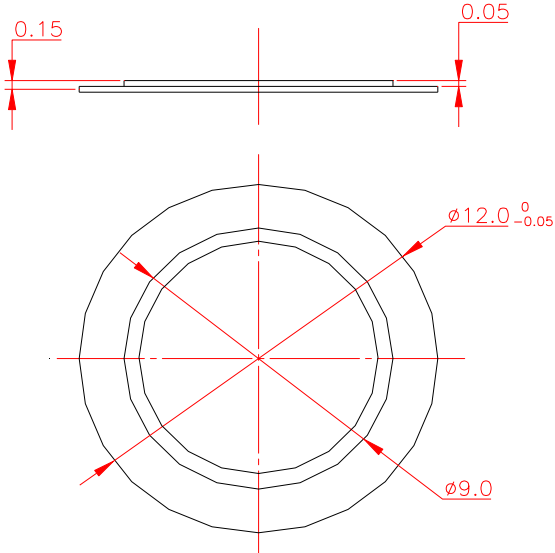


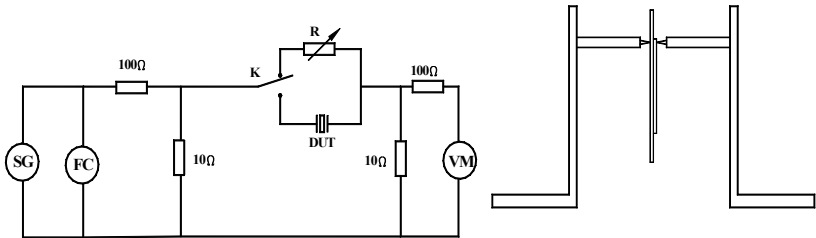
SPECIFICATIONS	
Resonant Frequency (KHz)	5.5±0.5
Resonant Impedance	R: ≤600Ω
Static Capacitance At 120Hz (pF)	10000±30%
Input Voltage	Vp-p: 30 max
Operating Temperature (°C)	-20~+85
Storage Temperature (°C)	-30~+85
Metal Thickness	50NI

REVISION HISTORY			
LTR	DESCRIPTION	DATE	APPROVED

DIMENSION:



TESTING CIRCUIT AND CLAMPING METHOD



SG: oscillator, FC: frequency meter,
R: variable resistor, VM: voltage meter,
DUT: piezoceramic element under test

The piezoceramic element shall be clamped at a node point as shown above to be free from any mechanical stress, and measured its resonant frequency and resonant impedance.

NOTES:

1. ALL DIMENSIONS ARE IN MILLIMETERS.
2. SPECIFICATIONS SUBJECT TO CHANGE OR WITHDRAWAL WITHOUT NOTICE.
3. THIS PART IS ROHS 2002/95/EC COMPLIANT.

UNLESS OTHERWISE SPECIFIED	SIZE	Designed by	Date	Checked by	Date	Approved by	Date
		Piezo TRANSDUCER		FT-12N-5.5A1-20			
DIMENSIONS ARE IN MILLIMETERS	A4	 Changzhou Shenghui Electronic Co.,Ltd Tel:+86 519 85118108 Fax:+86 519 85108596 sales@shenghui.com http://www.shenghui.com					
TOLERANCES ARE ±0.5 AND ANGLES ARE ±3°							